

# GalvinAssist in Wall Cistern STD

**Product Code: 105.94.00.00**

This in-wall cistern is part of the in-wall toilet system. The cistern is activated through pneumatic flush buttons.

- Suits floor mount toilet pan.
- 80mm thick, slim design, suits installation in a standard wall (or other).
- Front access to cistern through flush plate.
- Fully insulated by anti-condensation foam to prevent moisture escape.
- Easy to install.
- Innovative design allows the cistern to be serviced through the flush plate.

## Product details

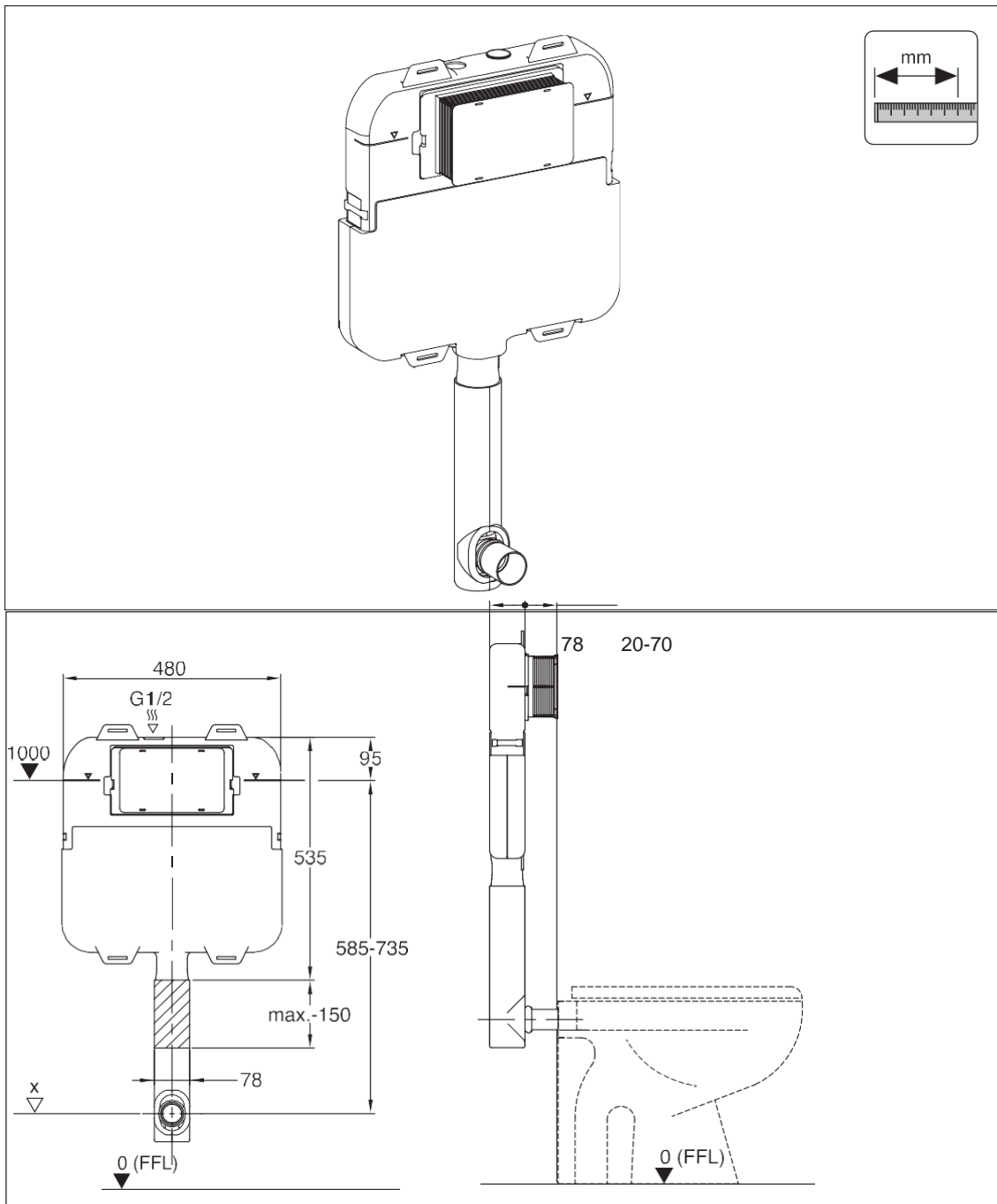
ACCESS	Front access through flush plate.
WELS	4 star rating 4.5/3 liter water saving flush
PAN	Suits floor mount pan

## Notes

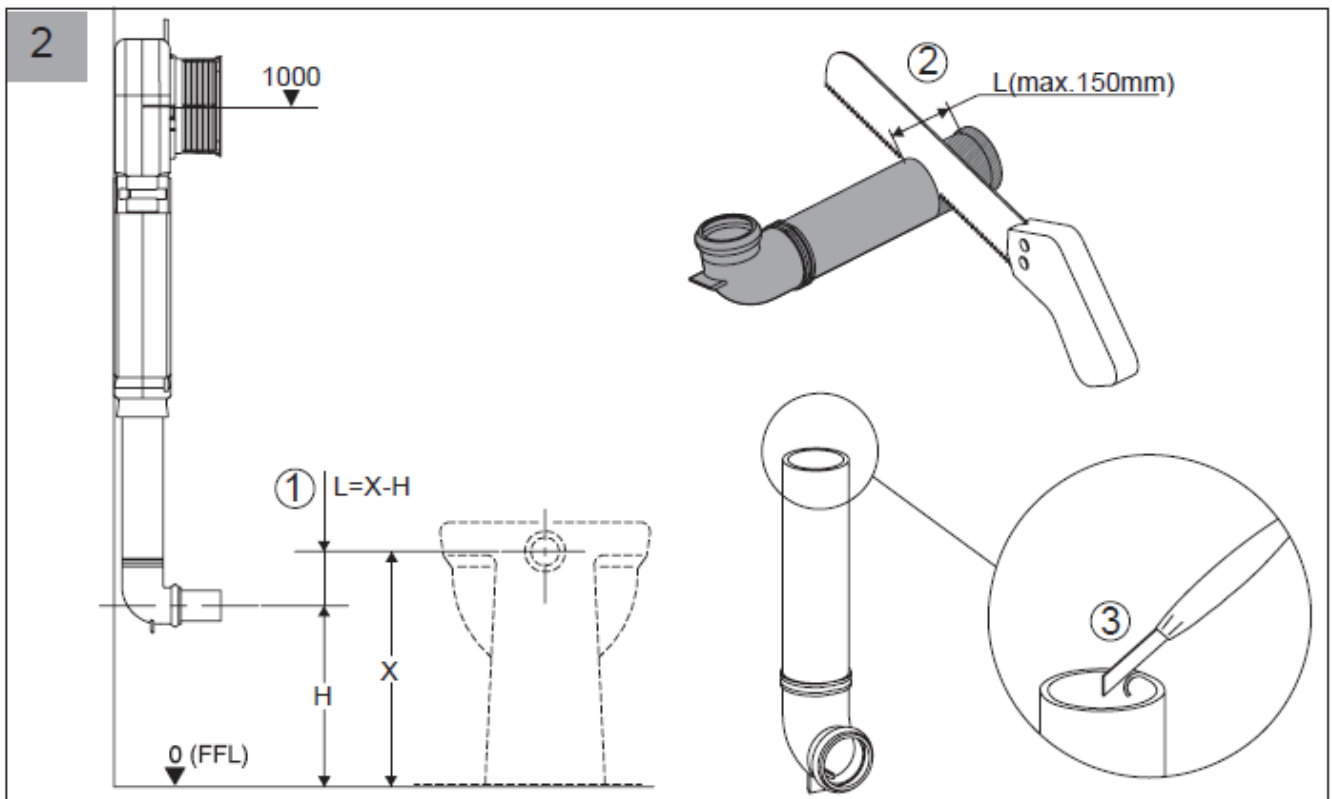
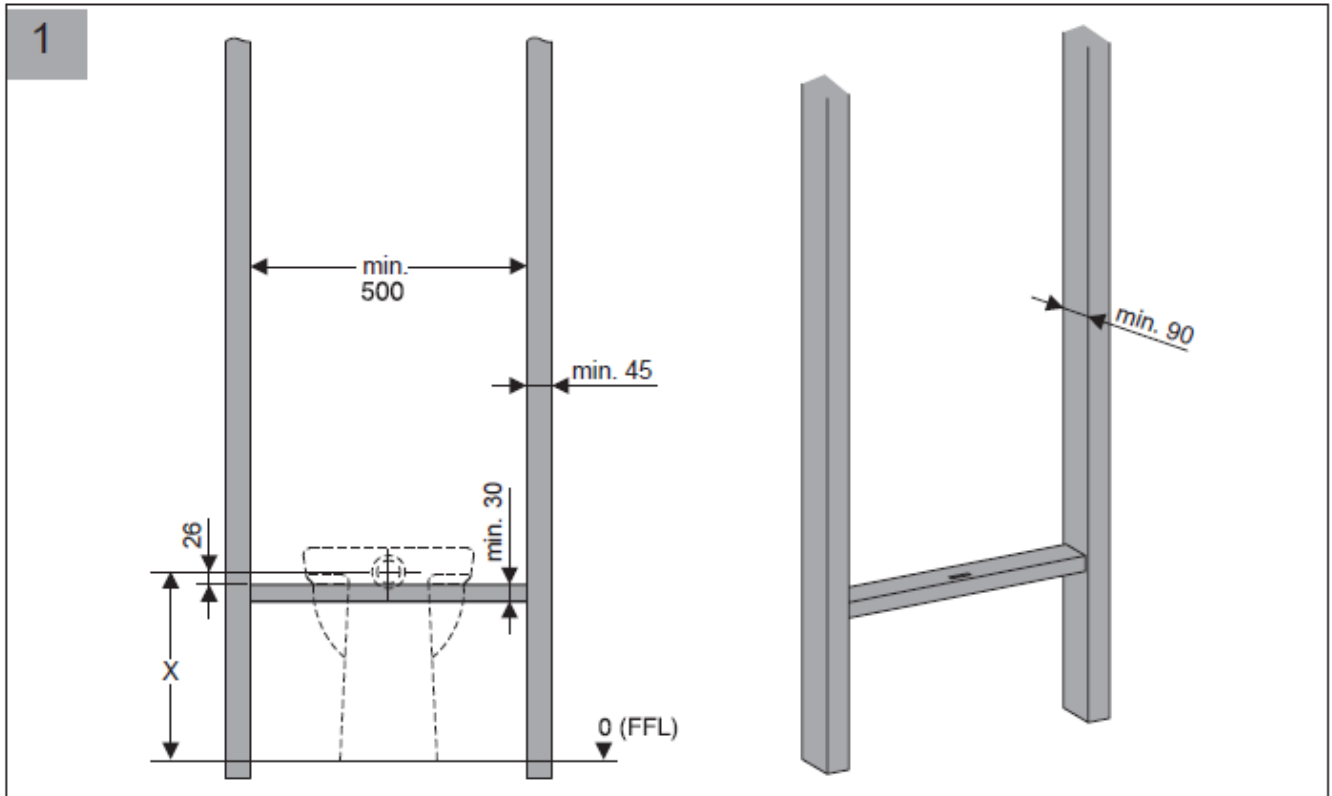
- Installation shall be in accordance with AS/NZS3500.
- All measurements are in millimeters. Height dimensions are to base of pan. Make allowance for bedding.
- Bedding: Pan may be bedded with cement base or using silicone sealant. Fix pan to floor using a sand cement mixture of 3:1 to a depth of 60mm. Do not use lime or fast-drying cement.
- Bracket fixing: The pan should be bedded with silicone sealant and fixed with the brackets supplied.
- Do NOT use epoxy type adhesives.
- Dimensions are nominal and subject to normal ceramic manufacturing variations.
- Specifications may vary without notice as part of our continuous improvement practices.
- Clean with a damp cloth. Do not use abrasive cleaners, liquids, or pastes.

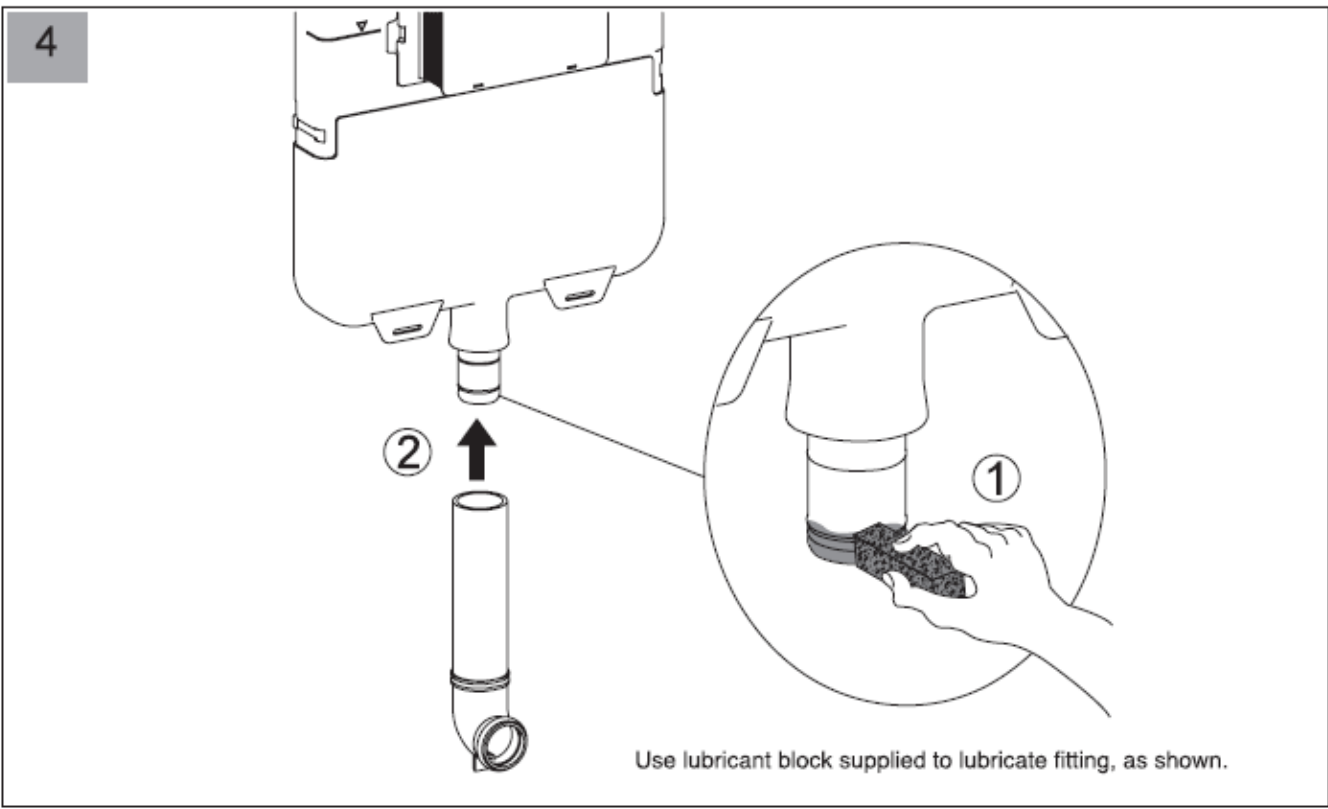
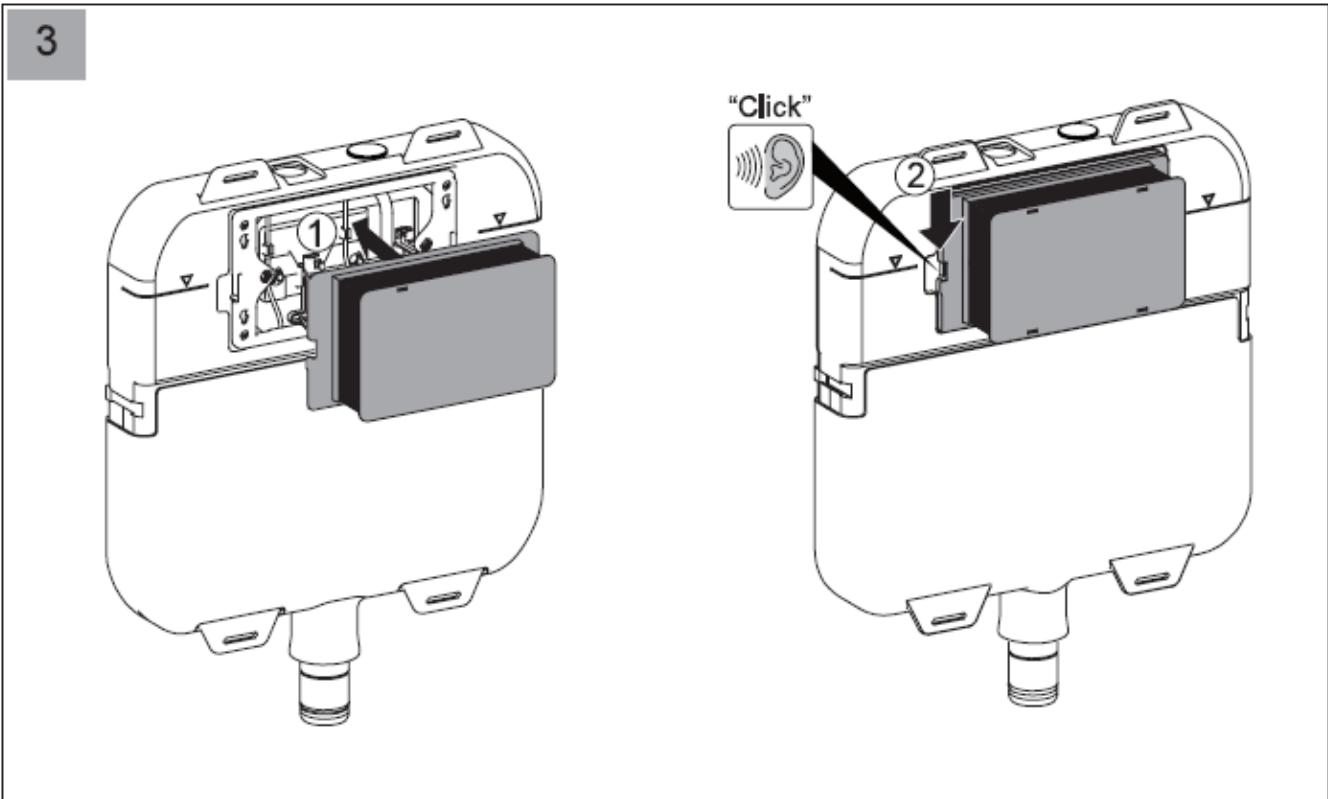
**Pre-installation**

1. Cistern must be installed by a licensed plumber. Failure to do so may void the warranty.
2. Refer to pan specifications for dimensions from finished floor level (FFL) to pan inlet and outlet.
3. These instructions show flush plate installation for front access. To install flush plate for remote access, refer to the flushplate instructions.

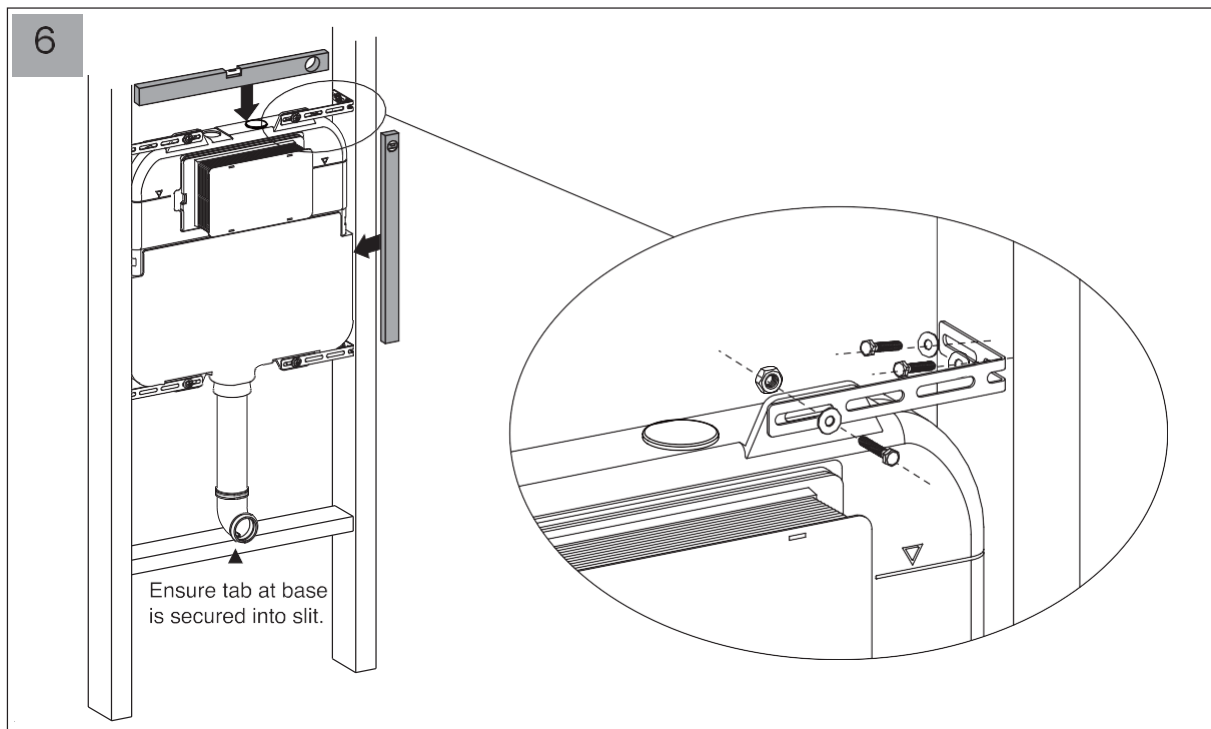
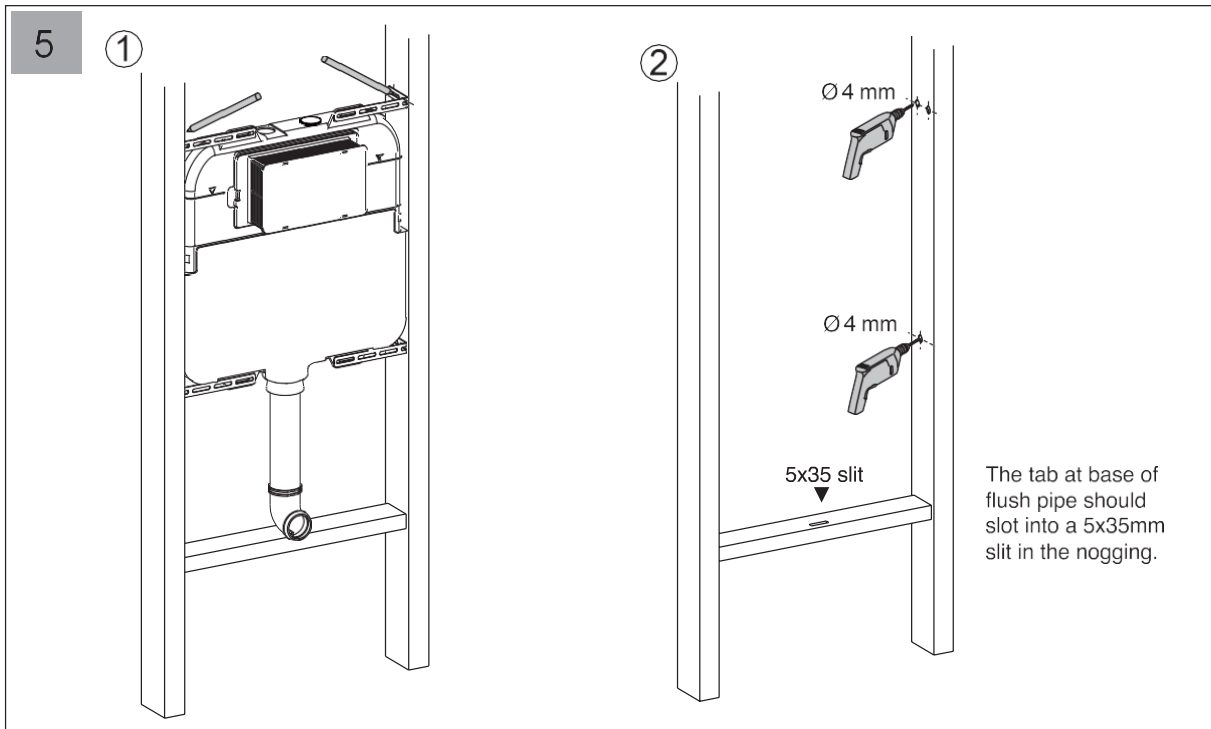


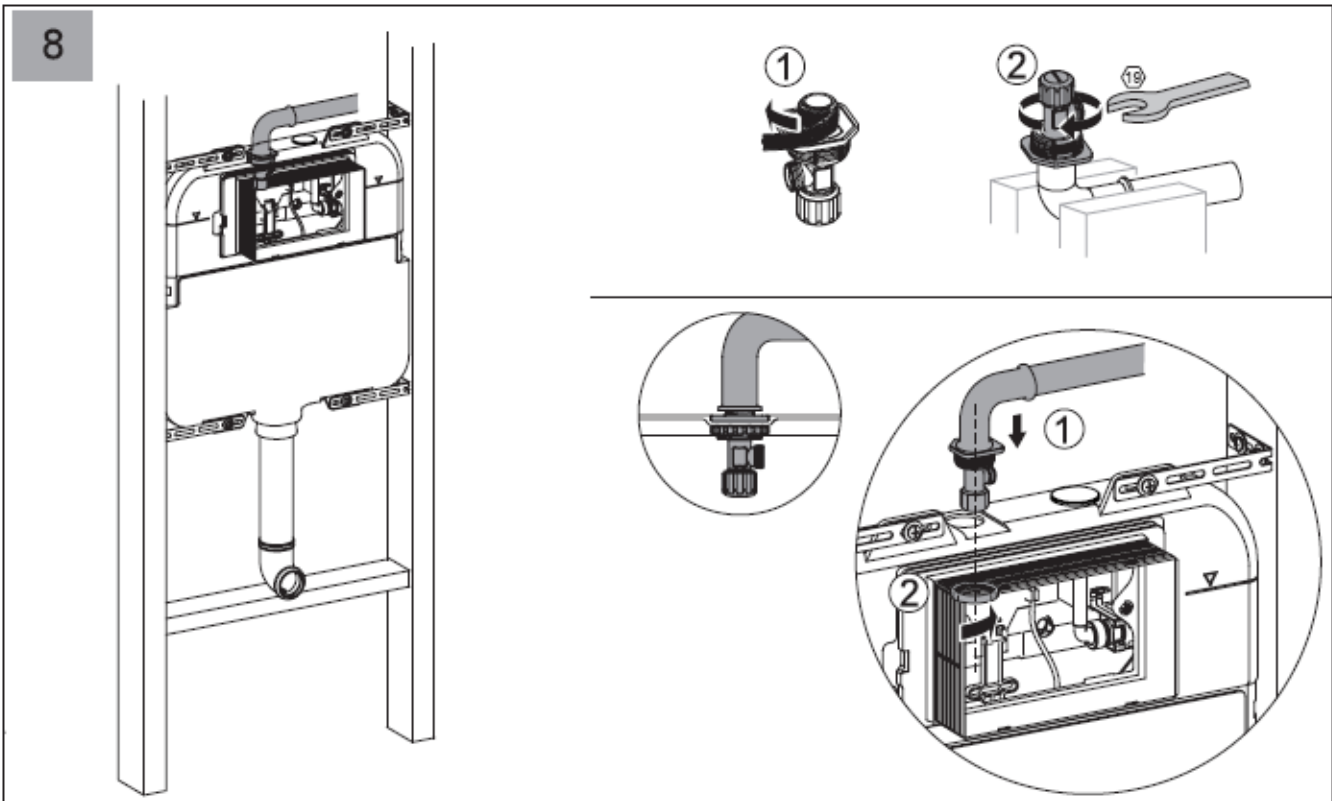
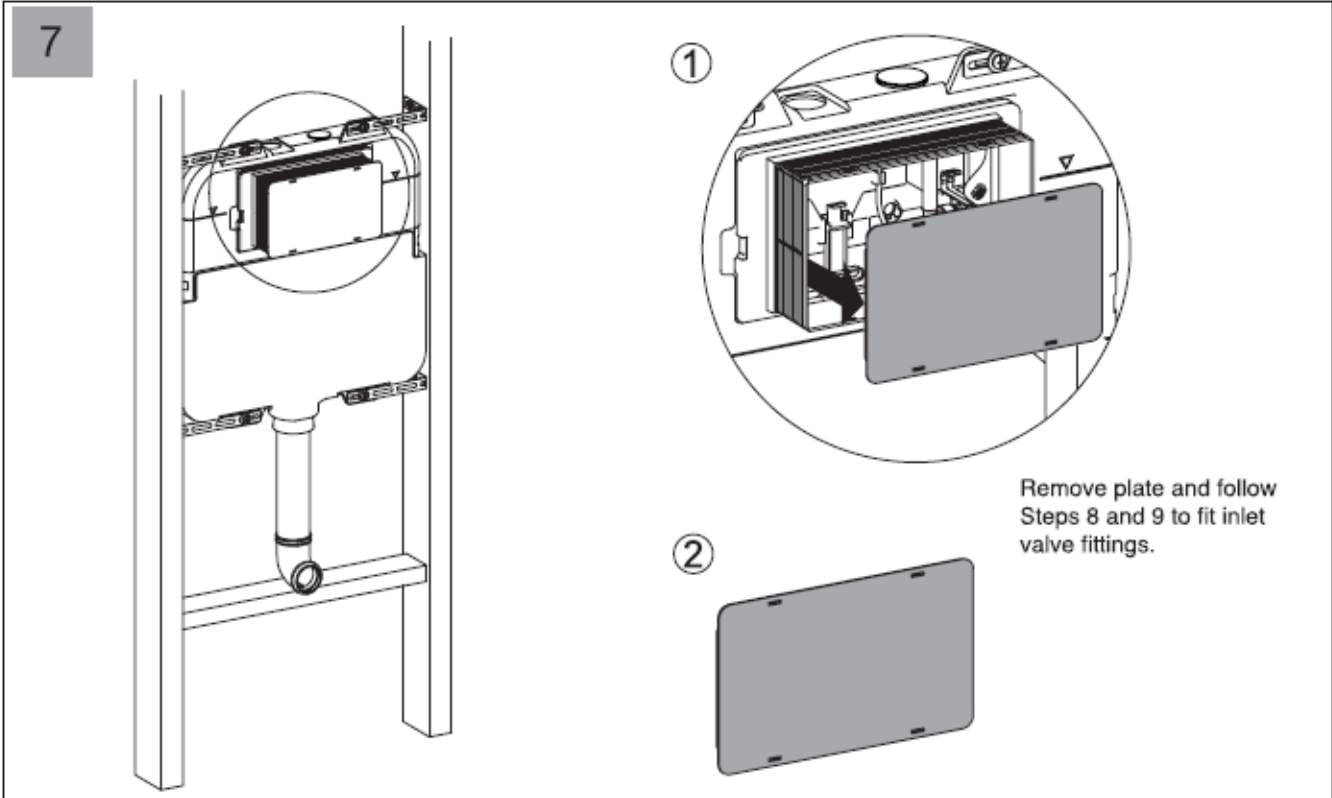
Installation





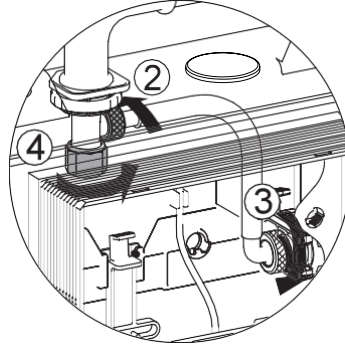
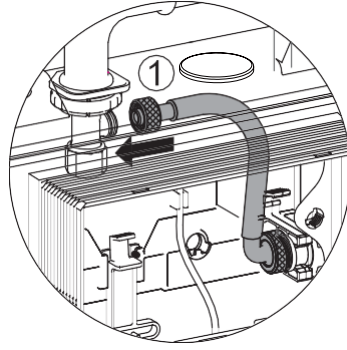
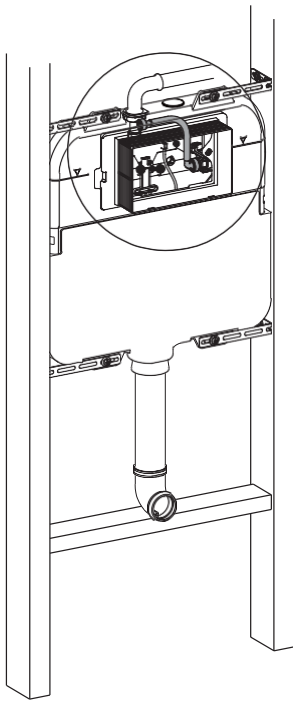
Note: Ensure that the flush pipe is fixed securely to a nogging in the wall in order to avoid it dislodging from the cistern when the pan is fitted.



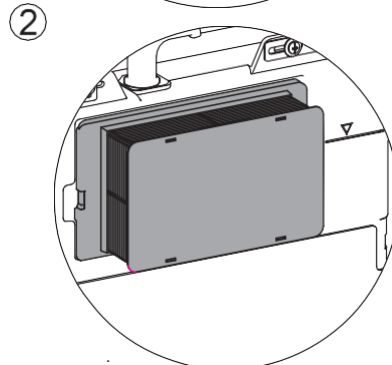
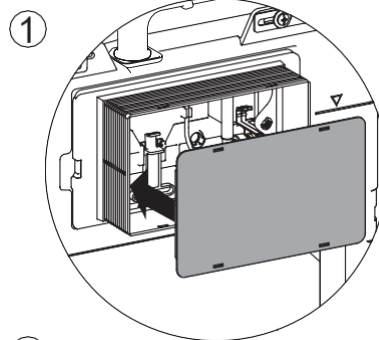
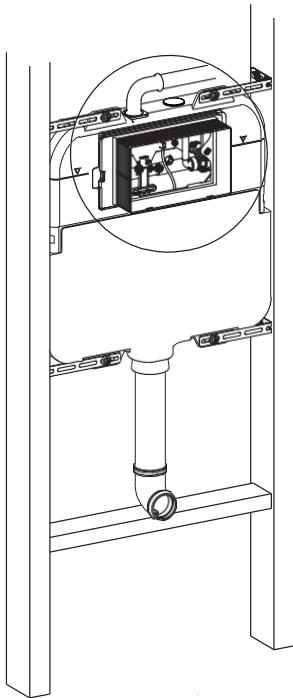


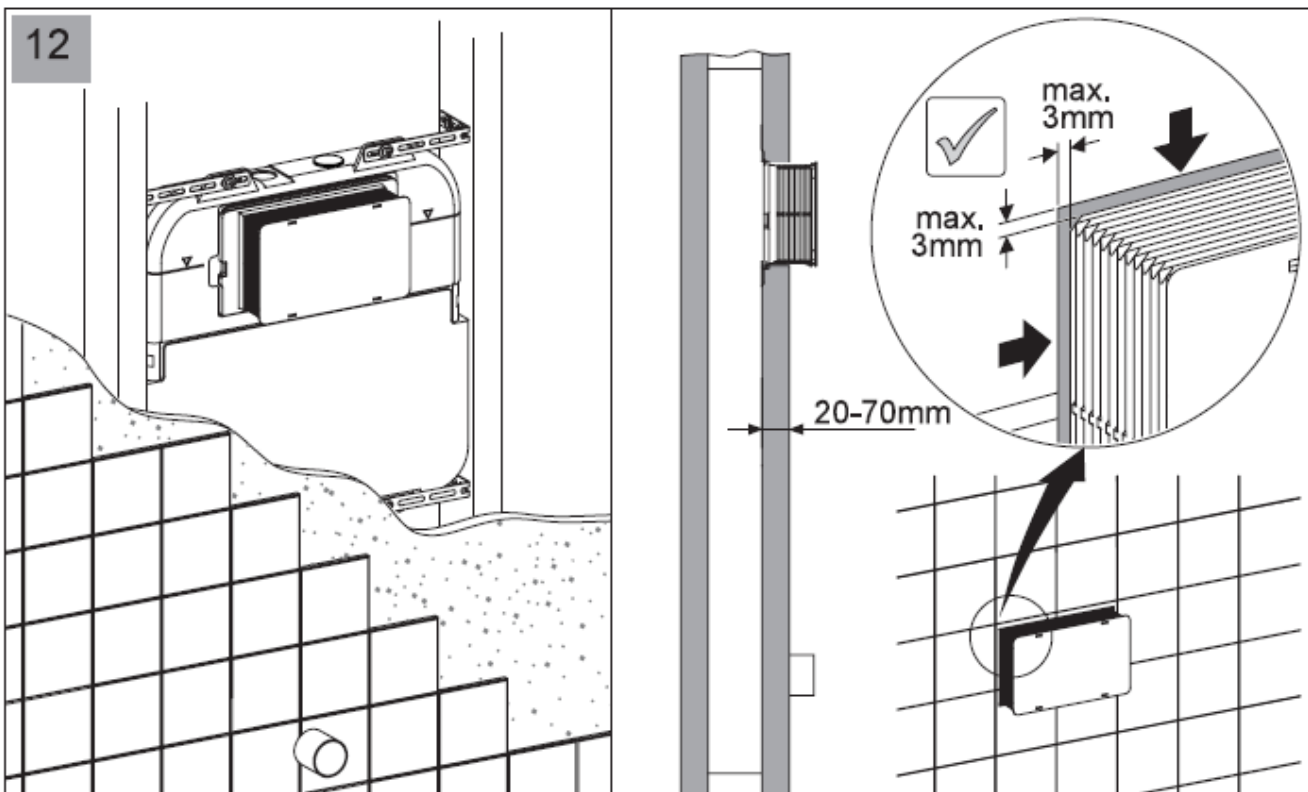
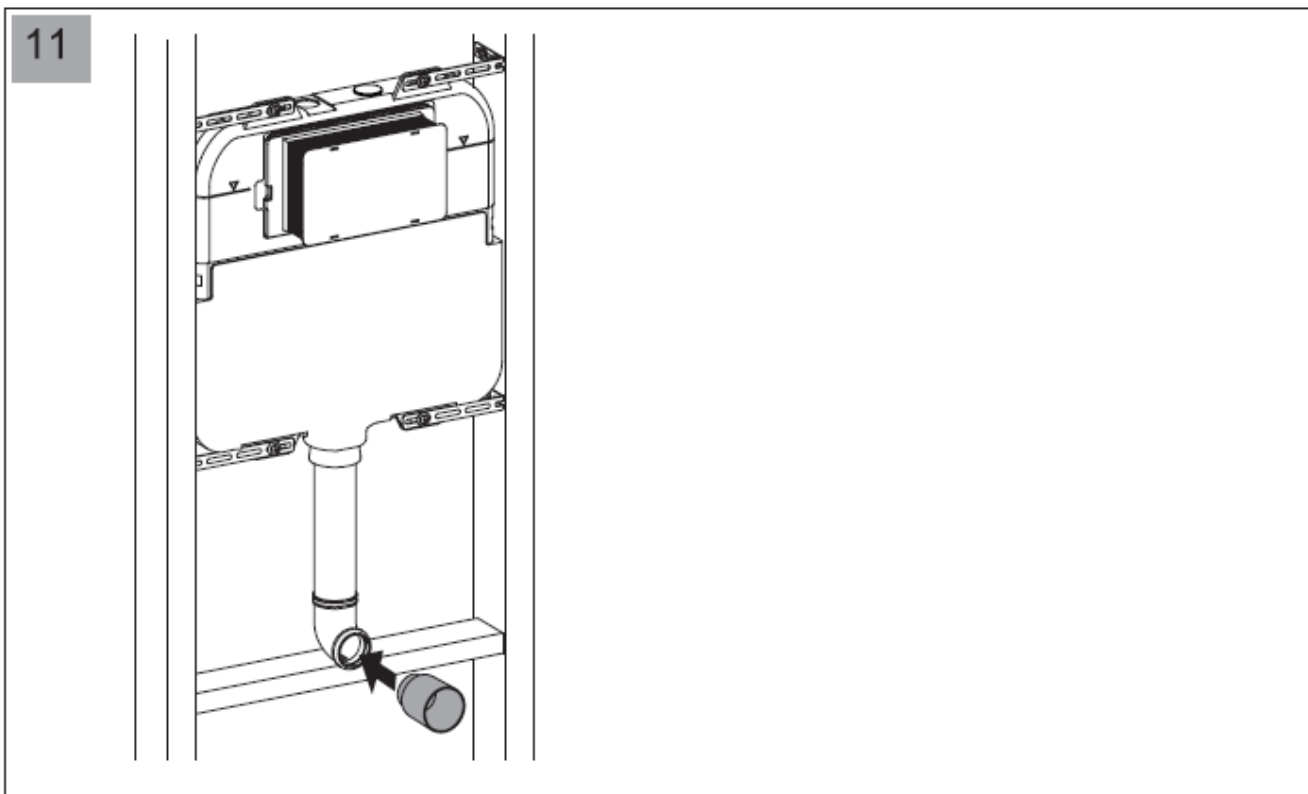


9



10





Note: Refer to flush plate installation instructions.



Note: Refer to pan installation instructions.

